

CUBE

COMPLETE HEAT PUMP SYSTEM

Cube is a modular heat pump system with components for any application. The high efficiency, two stage, Heat Pump Cube is the heart of the system and can be used in both air source and/or ground loop configurations. It can be used to provide hot water for radiant heat and domestic hot water. The Air Handling Unit can be stacked vertically or located remotely, an optional Condenser is available. The Cube System can be used in a number of configurations for multiple applications. It provides building heating and cooling, domestic hot water, make up air, pool atrium dehumidification, pool heating and industrial chiller configurations available. Let the Cube System can take care of all your heating and air conditioning needs, in the most energy efficient way possible.



AIR HANDLING CUBE

HEAT PUMP CUBE

CONDENSER CUBE



AIR AND/OR GROUND SOURCE HP
OPTIONAL DOMESTIC HOT WATER
OPTIONAL WATER FOR RADIANT HEAT
POOL DEHUMIDIFICATION AND CHILLER CONFIGURATIONS



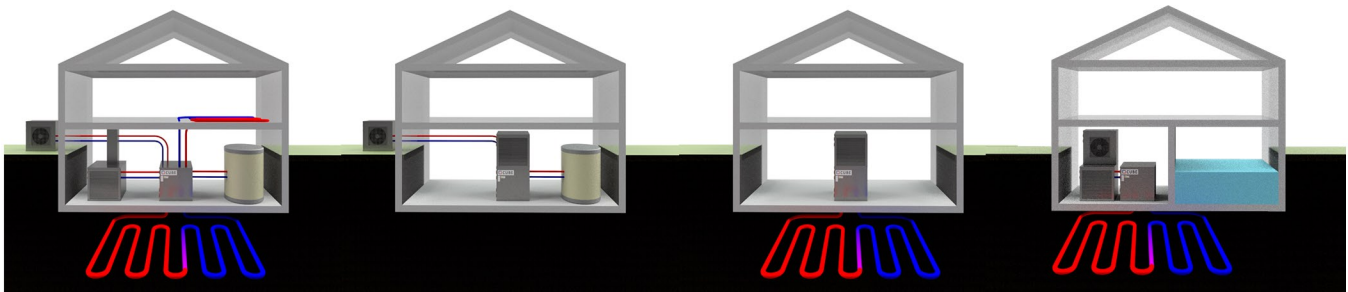
SAMPLE CONFIGURATIONS

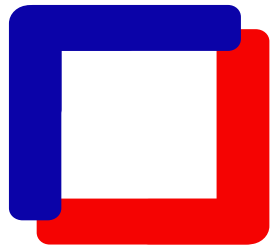
AIR/GROUND TO AIR/WATER
W/ DHW

AIR TO AIR
STACKED W/ DHW

GROUND TO AIR
STACKED

GROUND TO AIR/WATER
POOL ATRIUM DEHUMIDIFICATION

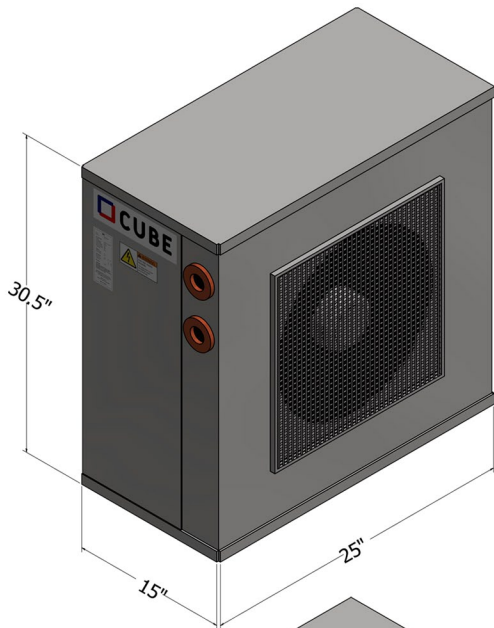




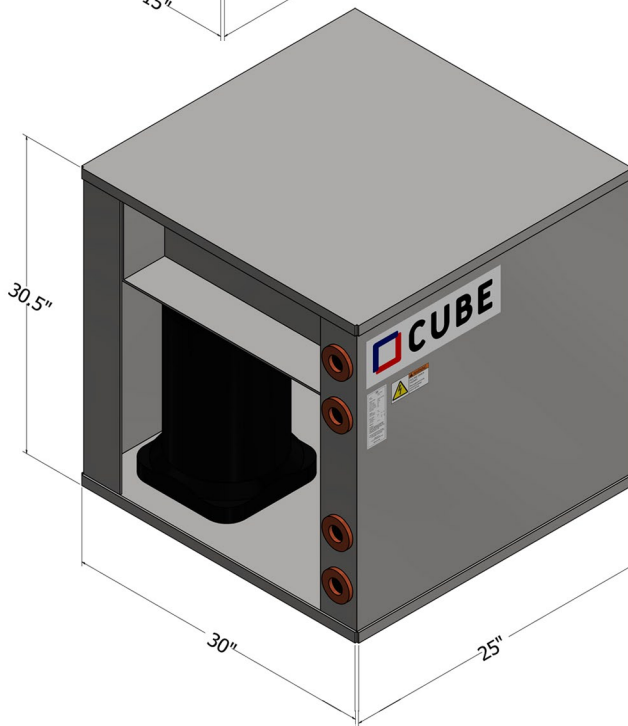
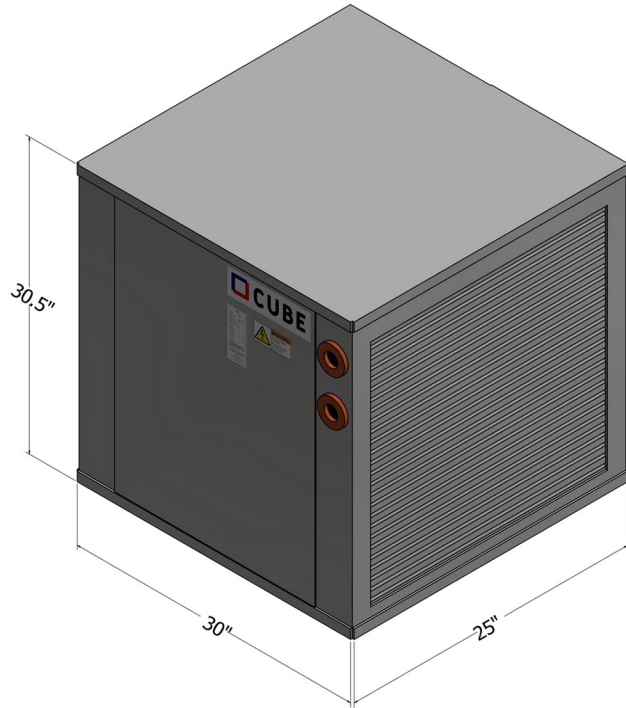
CUBE

COMPLETE HEAT PUMP SYSTEM

CONDENSER CUBE



AIR HANDLER CUBE



HEAT PUMP CUBE

CUBE SYSTEM

AIR SOURCE AND GROUND SOURCE HEAT PUMP
OPTIONAL DOMESTIC HOT WATER
OPTIONAL WATER FOR RADIANT HEAT
POOL DEHUMIDIFICATION CONFIGURATIONS
MAKE UP AIR CONFIGURATIONS
CHILLER CONFIGURATIONS

*CONTACT JSM ENERGY FOR CURRENT
DIMENSIONS AND EFFICIENCIES



250 531-0269

INFO@JSMENERGYINC.COM

JSMENERGYINC.COM